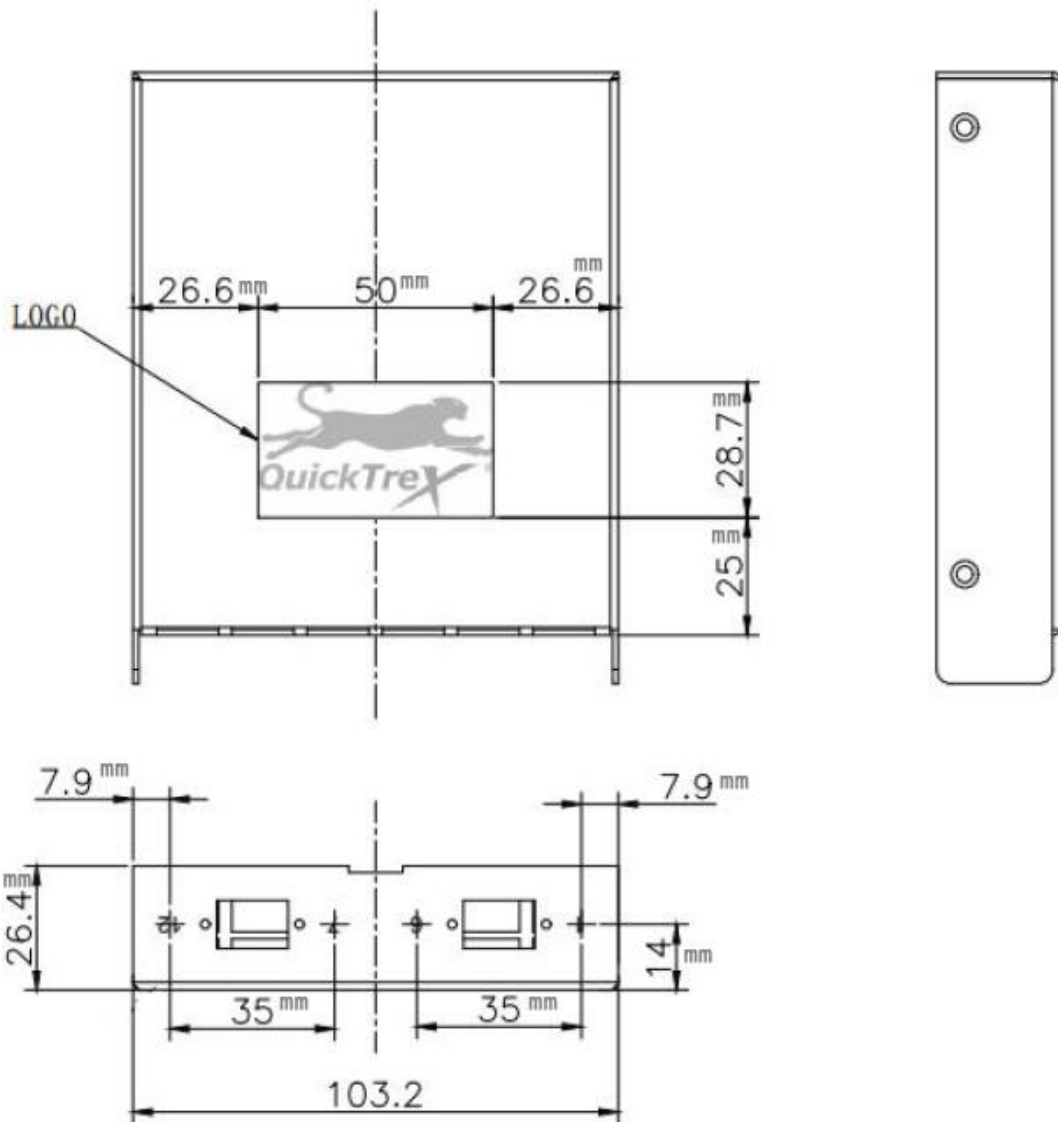


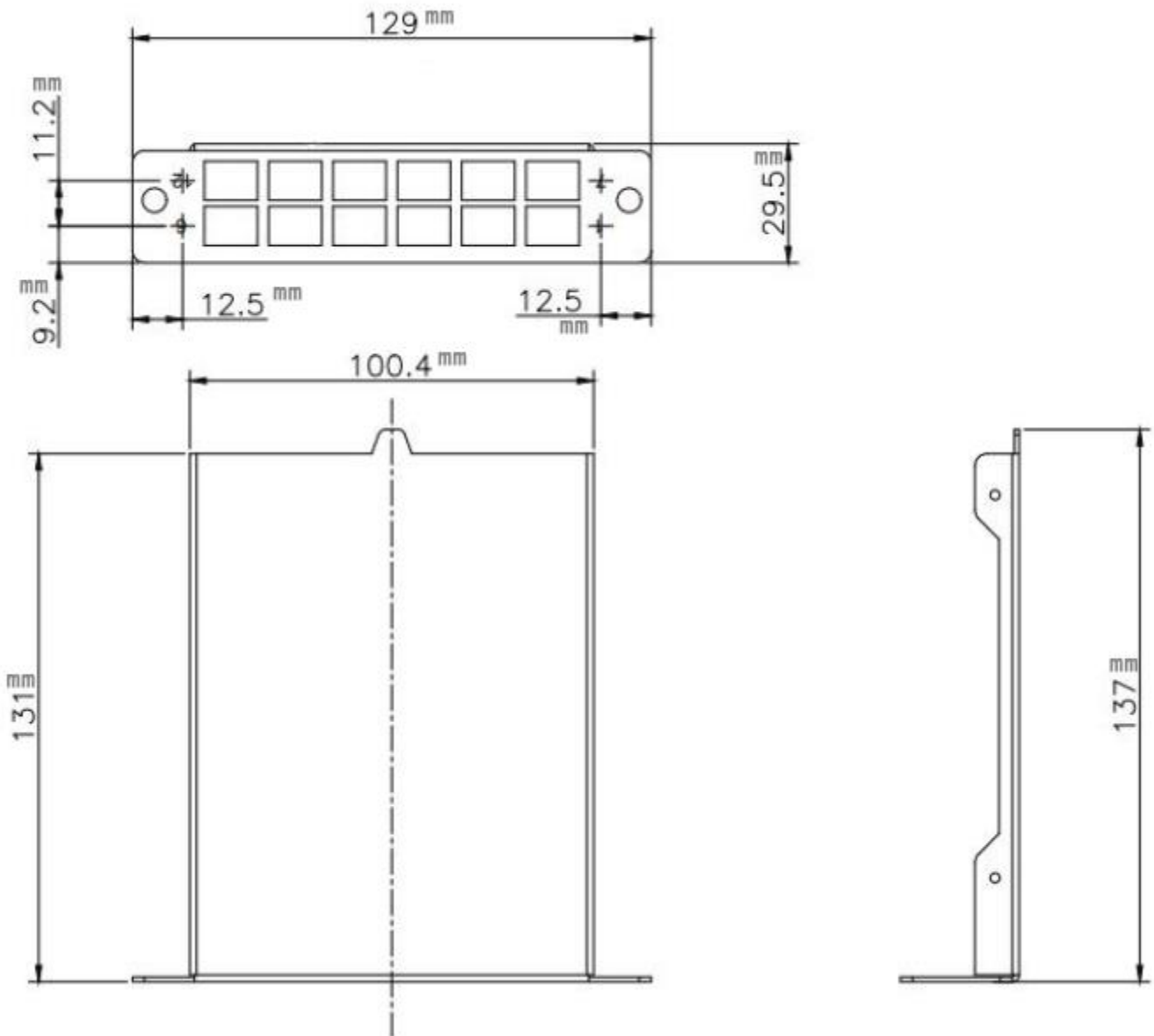


Purchase at LANshack.com

Sales@LANshack.com
888-568-1230

MTP® Low Loss LGX Cassettes with Genuine US Conec® Connector by QuickTreX®





Features:

- Genuine US Conec® MTP Male Connectors
- High Performance LC Zirconia Sleeve Adapters
- Factory Terminated
- 100% Tested with Ultra Low Insertion Loss
- Test Results Included
- Premium Optical Fiber
- Polarity A (standard)

Standards:

- TIA/EIA-568-C.3 and ISO/IEC 11801 - cable
- IEC 61754-7 & EIA/TIA-604-5 - MTP
- RoHS, REACH and SvHC materials compliant
- IEC 61754-20 (LC) & IEC 61754-14 (SC)
- IEC 60793 - Optical fiber

Product List:

- 1. MTP 12 Fiber 50/125 10 GIG OM3 Multimode to 6 Duplex LC Cassette with 12 Strand MTP (Male) Cable Polarity A (standard) Low Loss**
- 2. MTP 24 Fiber 50/125 10 GIG OM3 to 12 Duplex LC Cassette with two 12 Strand MTP (Male) Cables Polarity A (standard) Low**
- 3. MTP 12 Fiber Female OM4 "40 GIG" Multimode to 6 Duplex LC Cassette with 12 Strand MTP (Male) Cable Polarity A (standard) Low Loss**
- 4. MTP 24 Fiber Female OM4 "40 GIG" Multimode to 12 Duplex LC Cassette with two 12 Strand MTP (Male) Cables Polarity A (standard) Low Loss**
- 5. MTP 24 Fiber Female OM4 "40 GIG" Multimode to 12 Duplex LC Cassette with one 24 Strand MTP (Male) Cables Polarity A (standard) Low Loss**
- 6. MTP 12 Fiber Singlemode to 6 Duplex LC Cassette with 12 Strand MTP (Male) Cable Polarity A (standard) Low Loss**
- 7. MTP 24 Fiber Singlemode to 12 Duplex LC Cassette with two 12 Strand MTP (Male) Cables Polarity A (standard) Low Loss**
- 8. MTP 24 Fiber Singlemode to 12 Duplex LC Cassette with one 24 Strand MTP (Male) Cables Polarity A (standard) Low Loss**